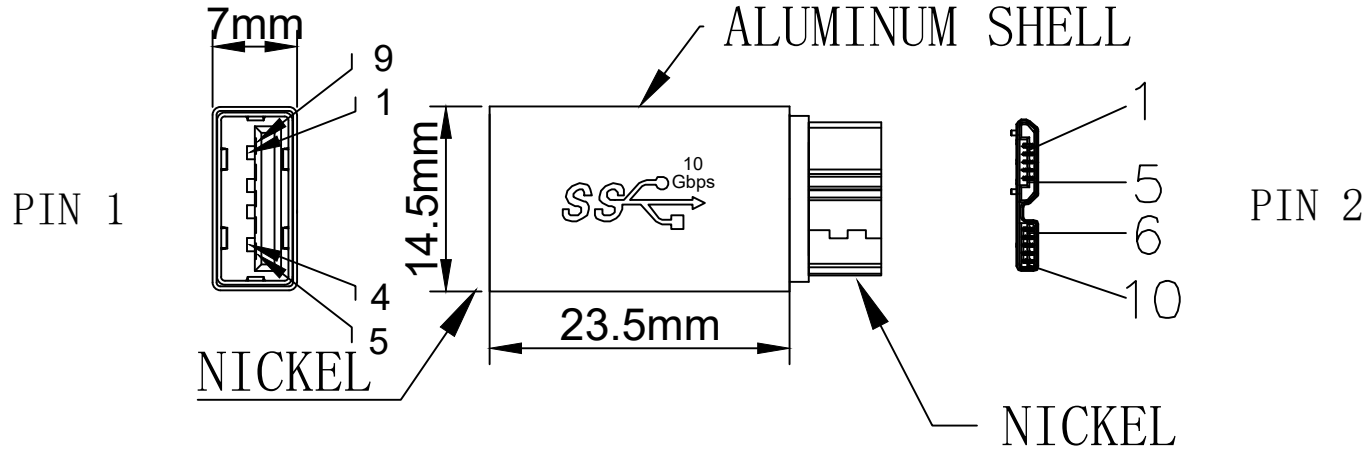


RoHS
RoHS2
REACH

PIN OUT

PIN1	PIN2
01	01
02	02
03	03
04	05
05	06
06	07
07	08
08	09
09	10
SHELL	SHELL



SUPPORT 5/10Gbps、5V/1.5A

DATE	ITEM	CONNECTOR	ITEM No.
2023.09.12	PIN1	USB 3.0 A(F)	3A-3MB
	PIN2	USB 3.0 MICRO B(M)	COMON